

Quick Installation Guide

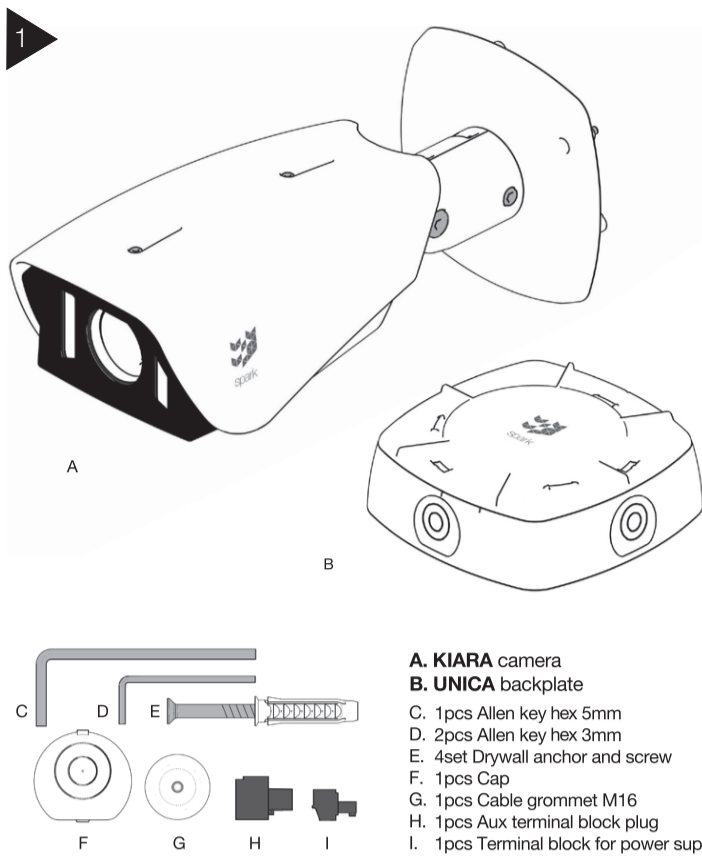
KIARA | PRO-VIEW

[2MP]SR-C-S2-KIARA-V12-IR | SR-C-S2-KIARA-V22-IR
 [5MP]SR-C-S5-KIARA-V10-IR
 [8MP]SR-C-S8-KIARA-V10-IR

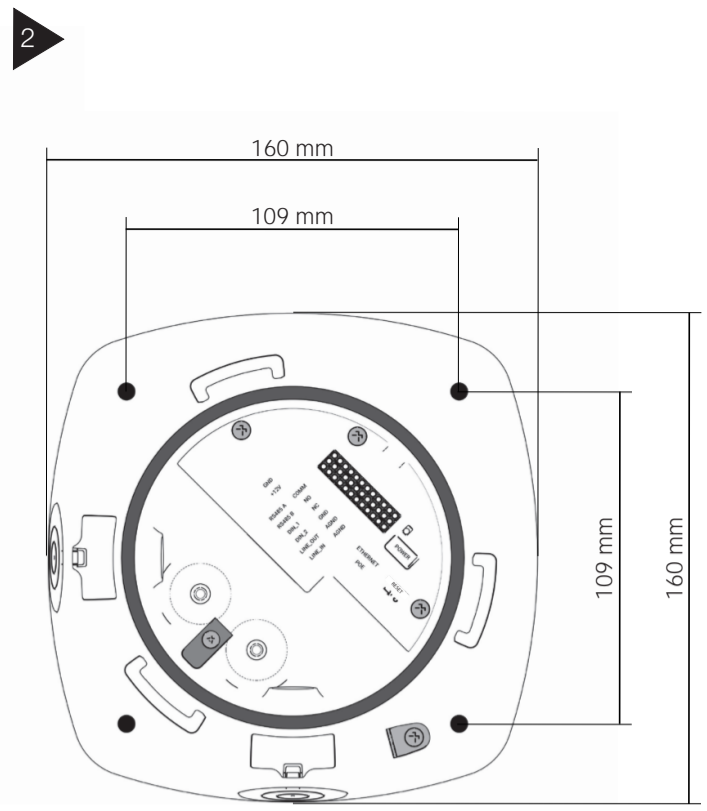


spark
 Italian inSight

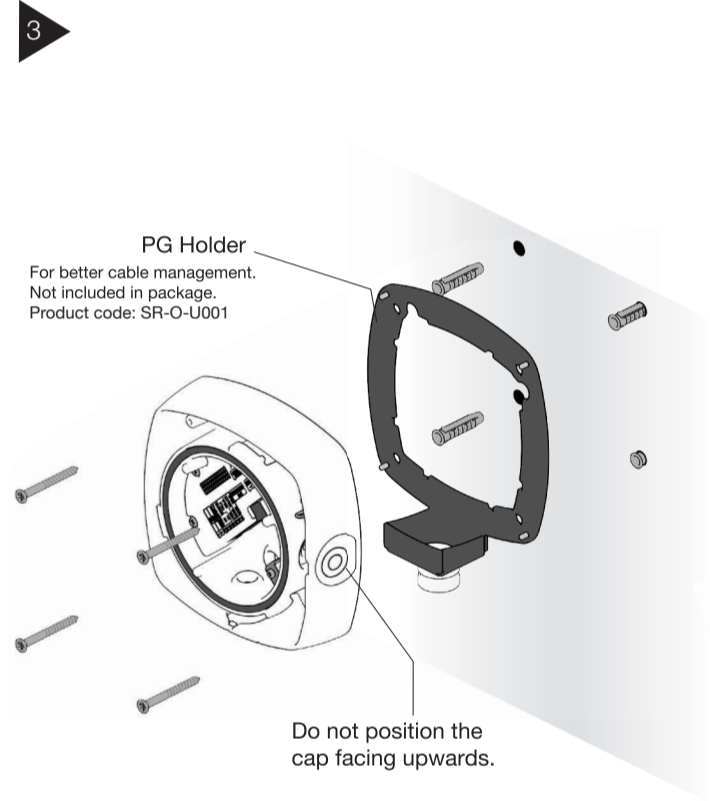
Website: www.spark-security.com
 E-mail: info@spark-security.com
 Telephone: +39.0522.929850
 Ticketing website: <https://sparksupport.teamwork.com/support/#/tickets/new>
 Technical docs: <http://helpdeskdocs.spark-security.com/>



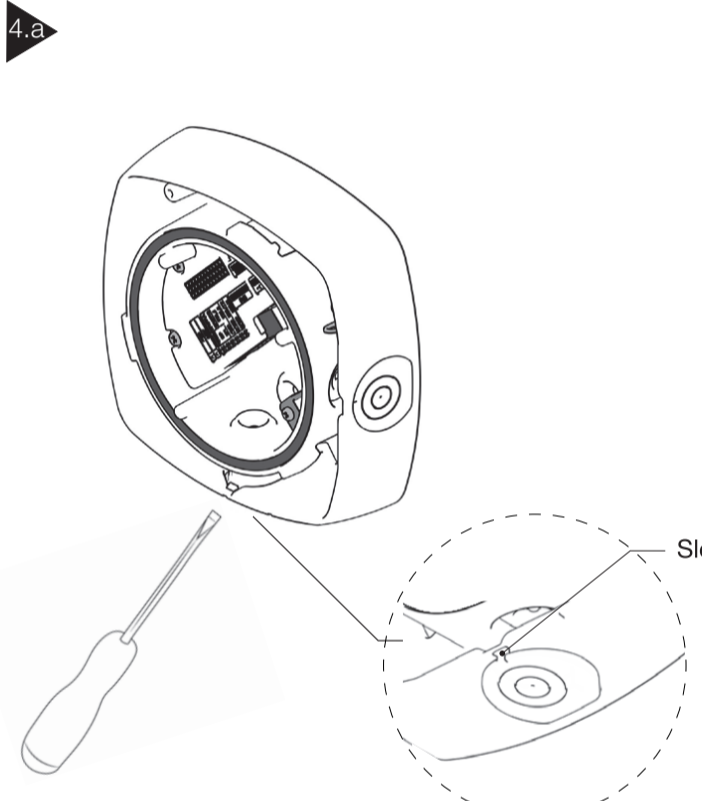
PACKAGE CONTENTS



UNICA DIMENSIONS

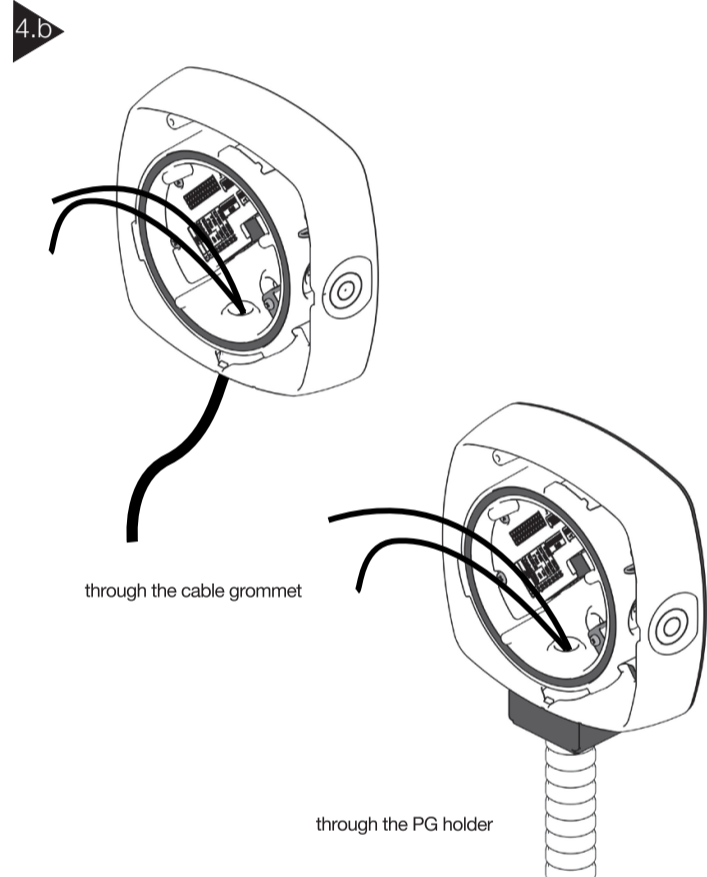


WALL MOUNTING



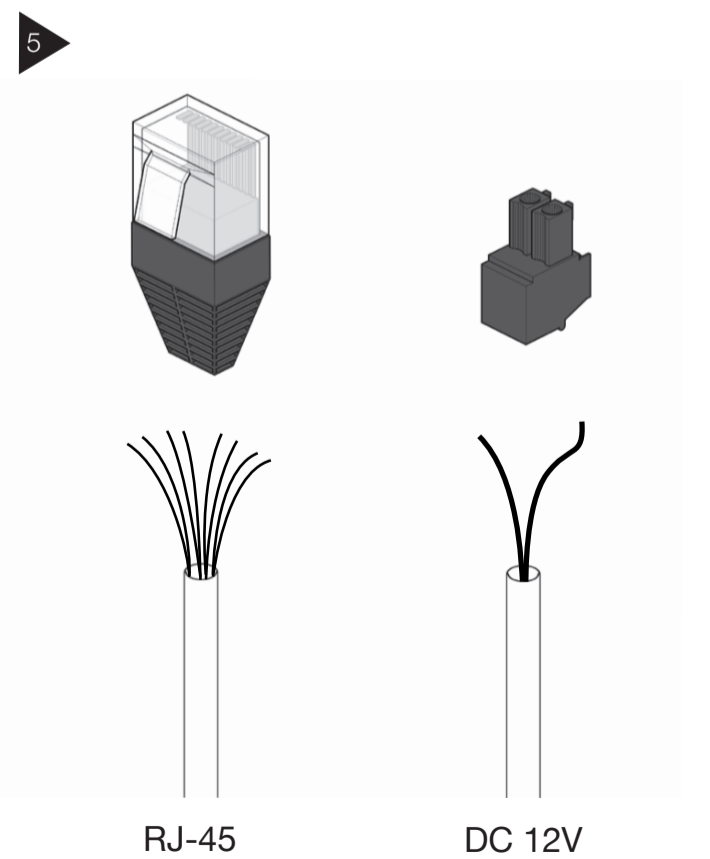
UNICA CAP REMOVAL

Insert a slotted screwdriver in the small slot between the cap and UNICA and pull the cap away.



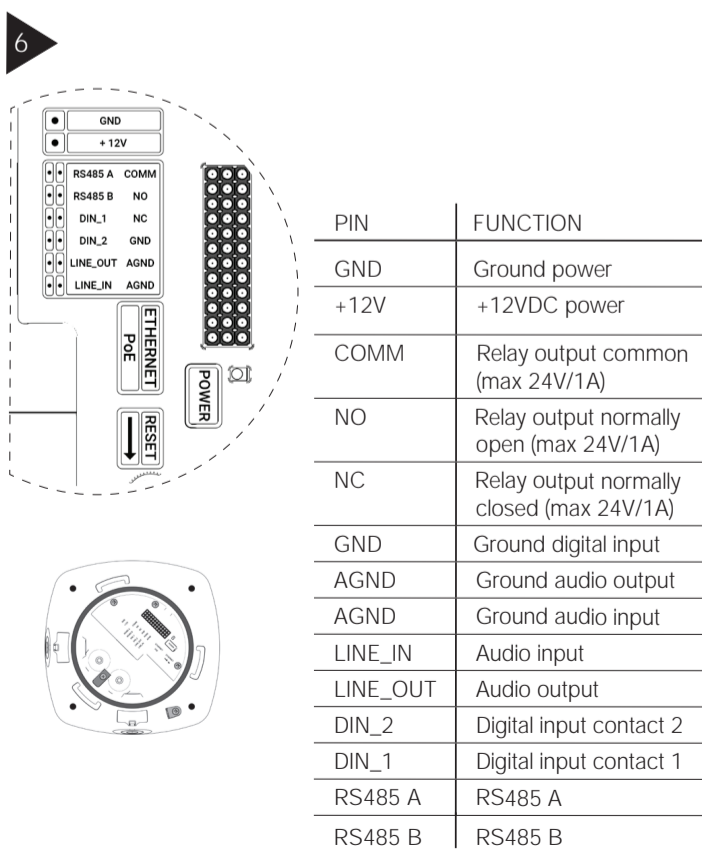
CABLE ROUTING

Apply sealant on cables for a better protection from humidity.

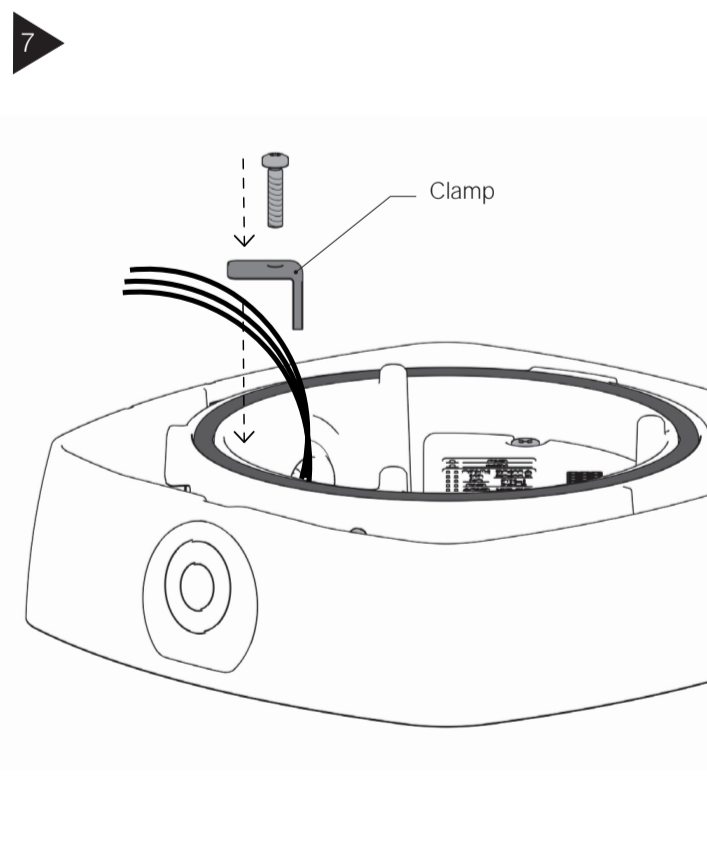


POWER SOURCE CONNECTION

If RJ-45 is connected to a PoE switch, terminal block DC 12V power source is not required, otherwise is mandatory.

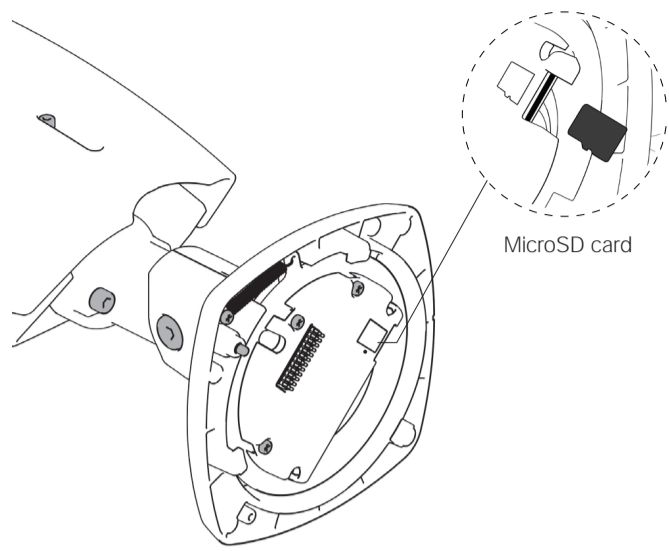


PIN OUT



CABLES LOCKING

8

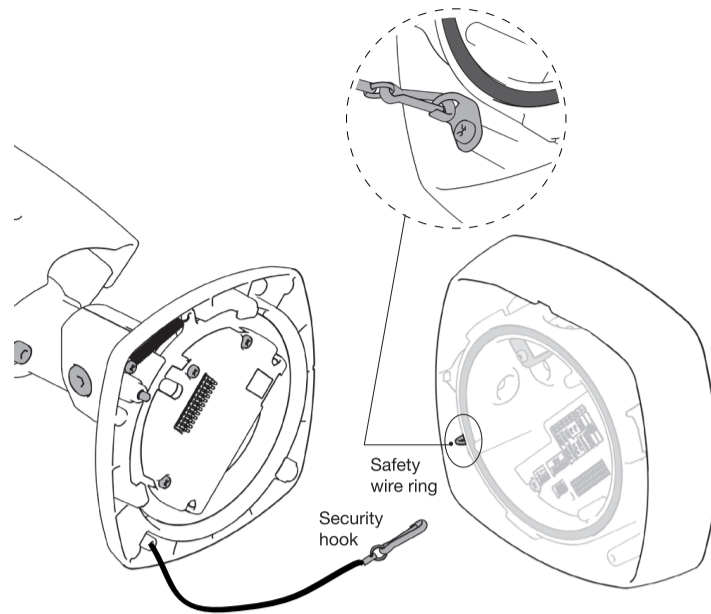


MicroSD card

MicroSD/SDHC/SDXC CARD (optional)

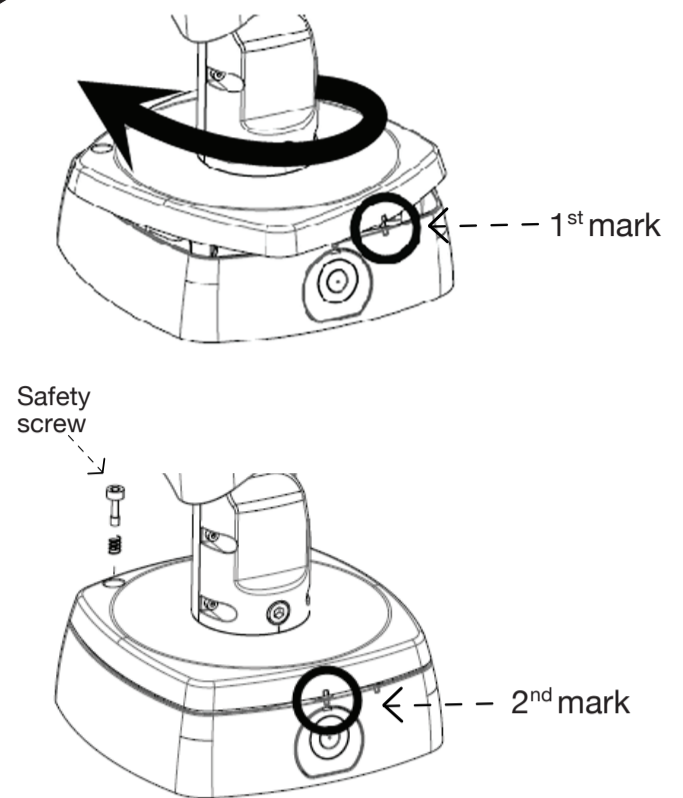
Insert the memory card into the slot until it is locked.

9

Safety wire ring
Security hook**SECURITY HOOK**

Attach the hook to UNICA to prevent the camera from falling.

10

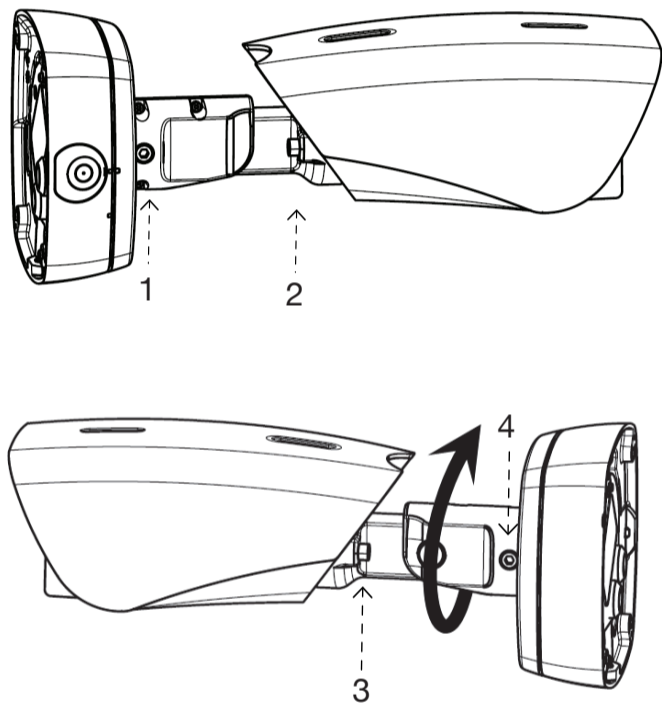
1st mark

Safety screw

2nd mark**CAMERA MOUNTING**

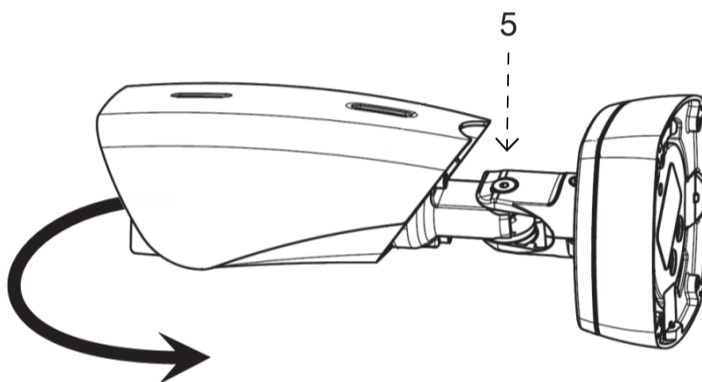
Align the camera to the 1st mark and turn until it is aligned to the 2nd mark. Then lock the safety screw that is inside.

11

**BRACKET ADJUSTMENT**

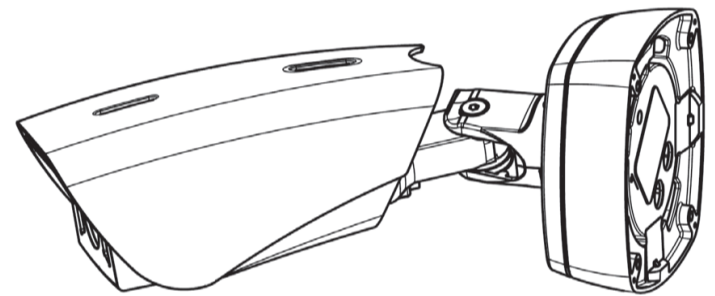
Loosen the screws 2 & 3, then 1 & 4. Turn the bracket to the desired position.

12

**ANGLE ADJUSTMENT**

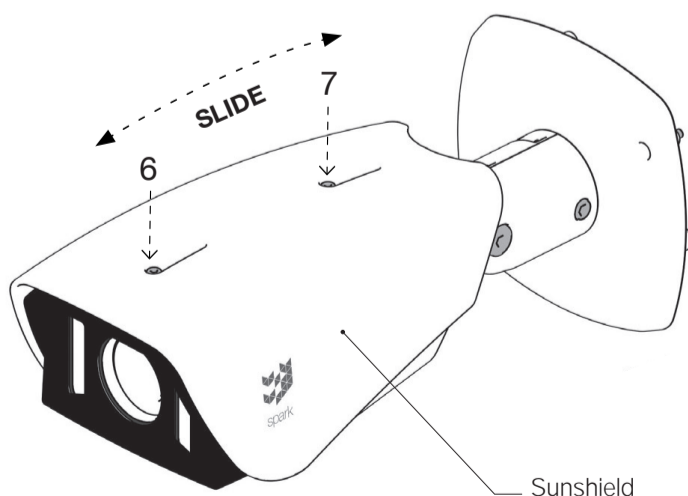
Loosen the screw 5 and turn the camera to the desired position.

13

**POSITION LOCKING**

To secure the position, tighten the screws 2, 3, 1, 4, and 5 respectively.

14



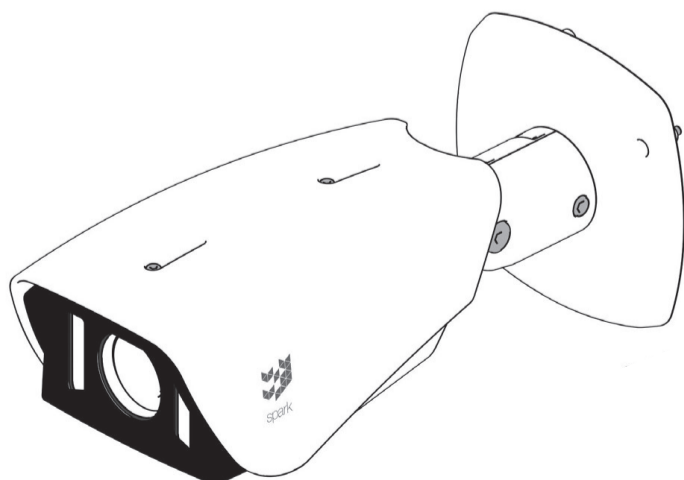
Sunshield

SUNSHIELD ADJUSTMENT

Loosen the screw 6 & 7. Slide the sunshield to the desired position and tighten the screws.

NOTES**CAMERA CLEANING**

Use soft cloth to clean the external surface. Do not use volatile solvents as it may damage the camera surface.

**First time accessing the camera from a browser:**

1. Enter the default IP address: <http://192.168.1.219>
2. Enter the default username: admin
3. Enter the default password: admin



spark
Italian inSight

Website: www.spark-security.comE-mail: info@spark-security.com

Telephone: +39.0522.929850

Ticketing website: <https://sparksupport.teamwork.com/support/#/tickets/new>Technical docs: <http://helpdeskdocs.spark-security.com/>