

Quick Installation Guide

MIRA | PRO-VIEW

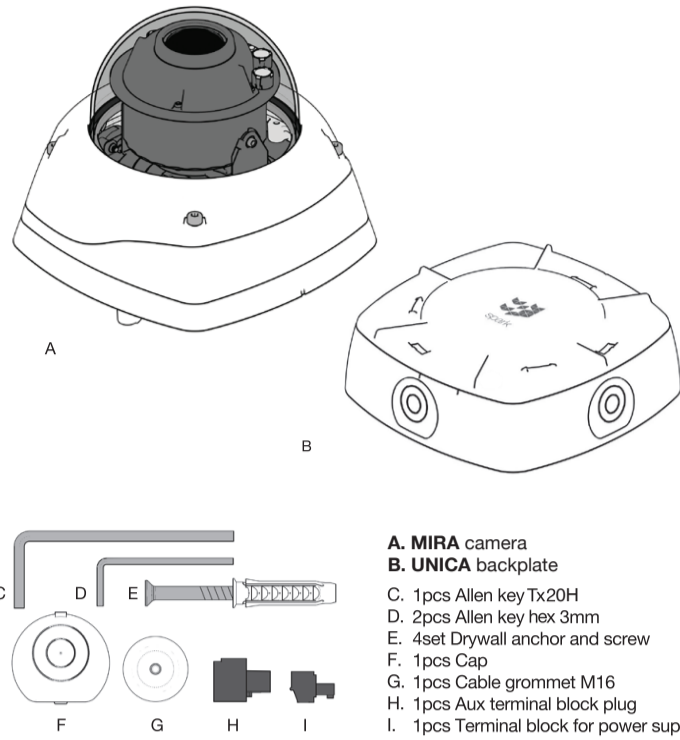
[2MP]SR-C-S2-MIRA-V12-IR | SR-C-S2-MIRA-V22-IR
 [5MP]SR-C-S5-MIRA-V10-IR
 [8MP]SR-C-S8-MIRA-V10-IR



spark
 Italian inSight

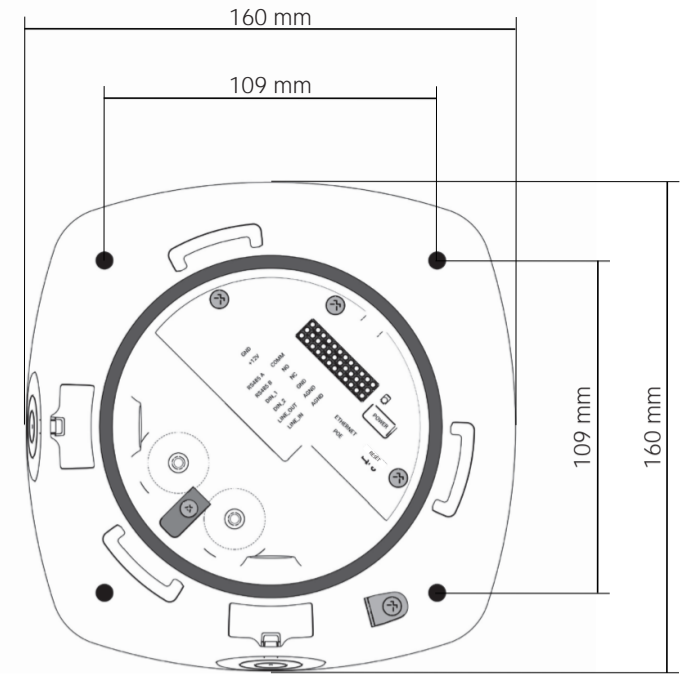
Website: www.spark-security.com
 E-mail: info@spark-security.com
 Telephone: +39.0522.929850
 Ticketing website: <https://sparksupport.teamwork.com/support/#/tickets/new>
 Technical docs: <http://helpdeskdocs.spark-security.com/>

1



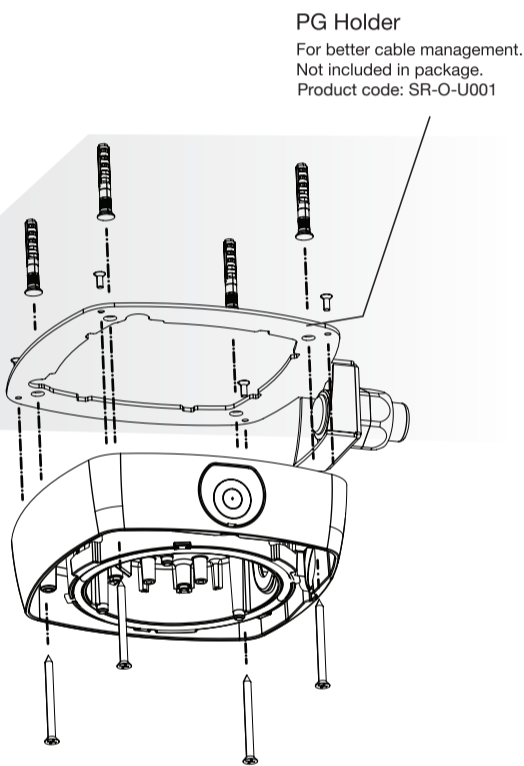
PACKAGE CONTENTS

2



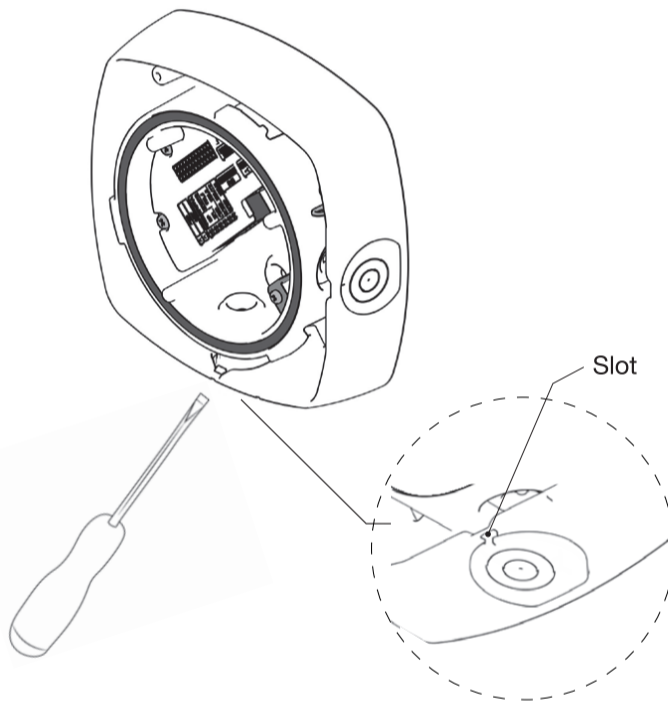
UNICA DIMENSIONS

3



CEILING MOUNTING

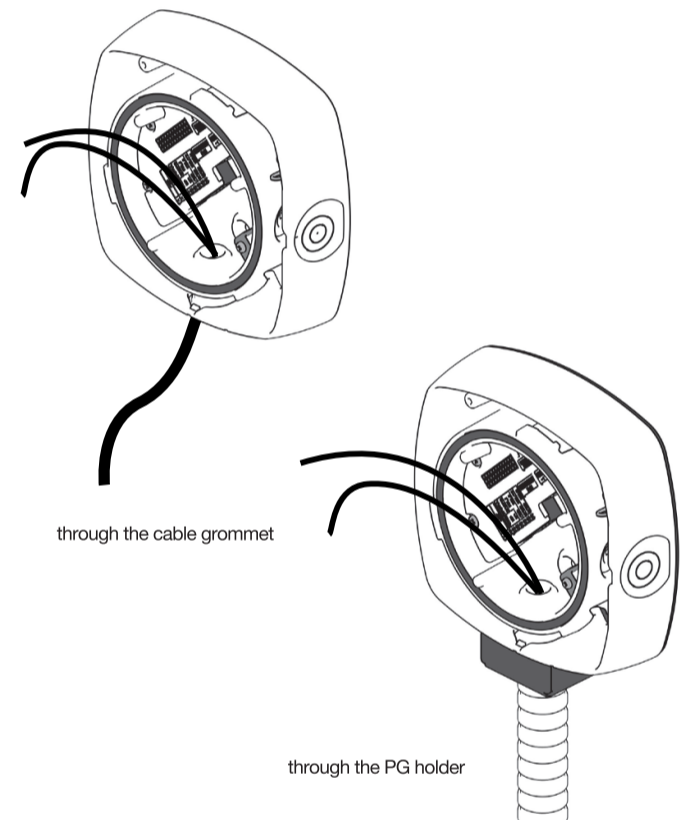
4.a



UNICA CAP REMOVAL

Insert a slotted screwdriver in the small slot between the cap and UNICA and pull the cap away.

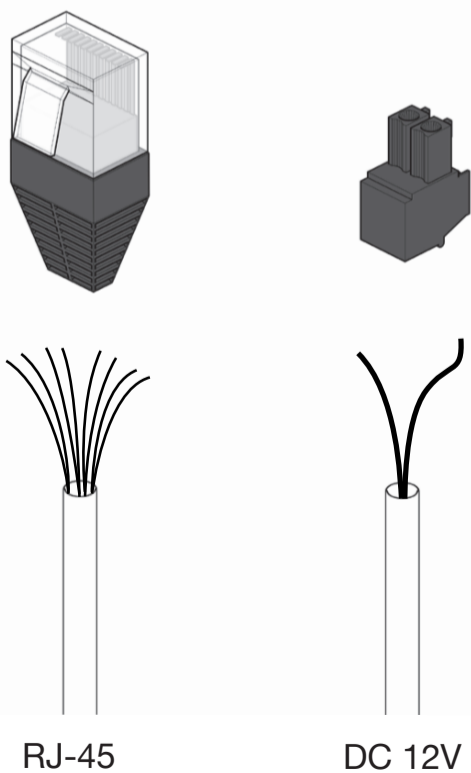
4.b



CABLE ROUTING

Apply sealant on cables for a better protection from humidity.

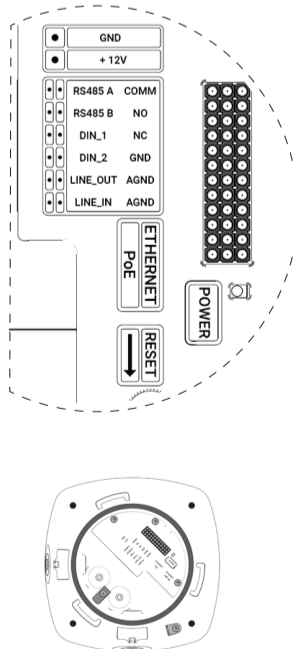
5



POWER SOURCE CONNECTION

If RJ-45 is connected to a PoE switch, terminal block DC 12V power source is not required, otherwise is mandatory.

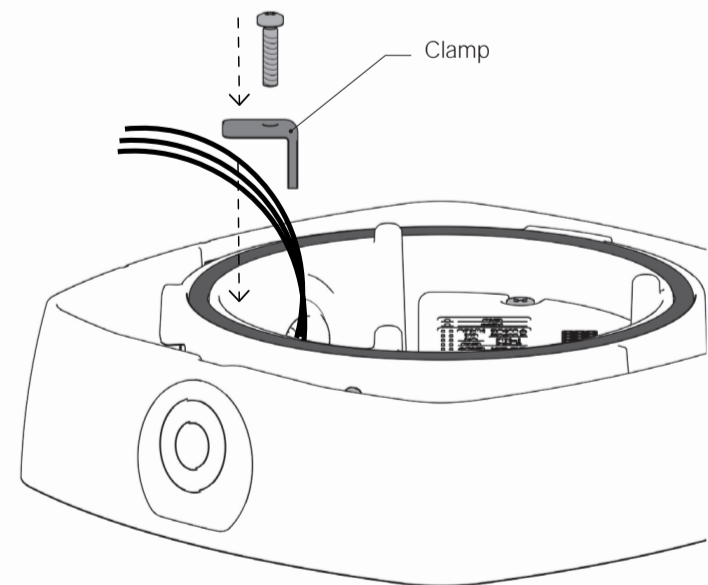
6



PIN	FUNCTION
GND	Ground power
+12V	+12VDC power
COMM	Relay output common (max 24V/1A)
NO	Relay output normally open (max 24V/1A)
NC	Relay output normally closed (max 24V/1A)
GND	Ground digital input
AGND	Ground audio output
AGND	Ground audio input
LINE_IN	Audio input
LINE_OUT	Audio output
DIN_2	Digital input contact 2
DIN_1	Digital input contact 1
RS485 A	RS485 A
RS485 B	RS485 B

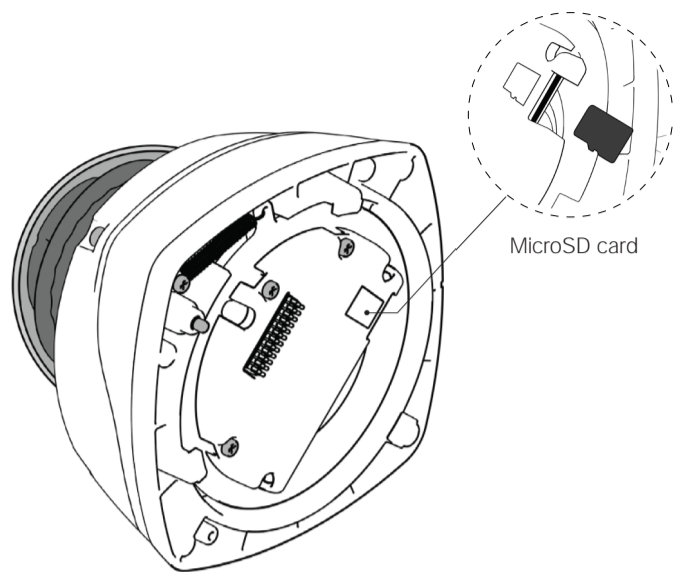
PIN OUT

7



CABLES LOCKING

8

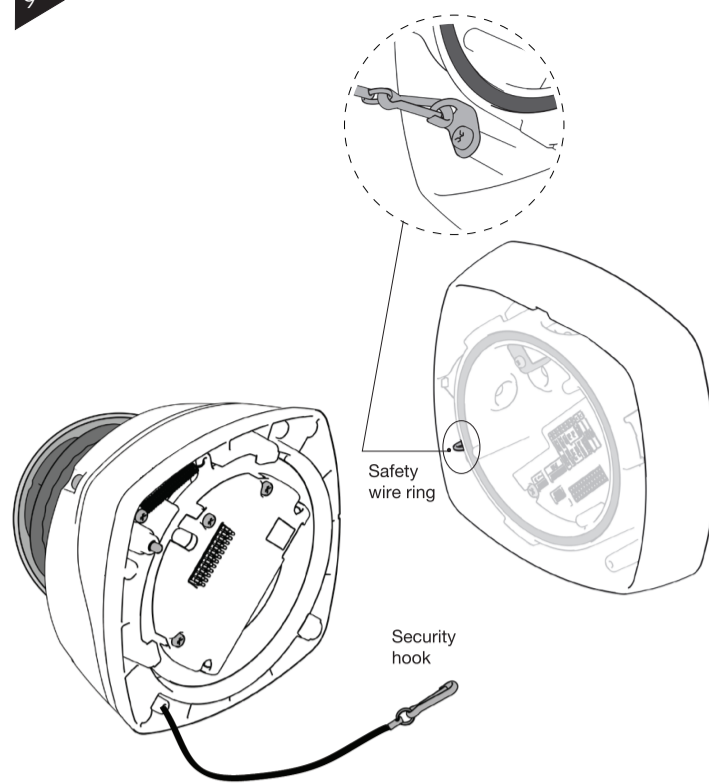


MicroSD card

MicroSD/SDHC/SDXC CARD (optional)

Insert the memory card into the slot until it is locked.

9



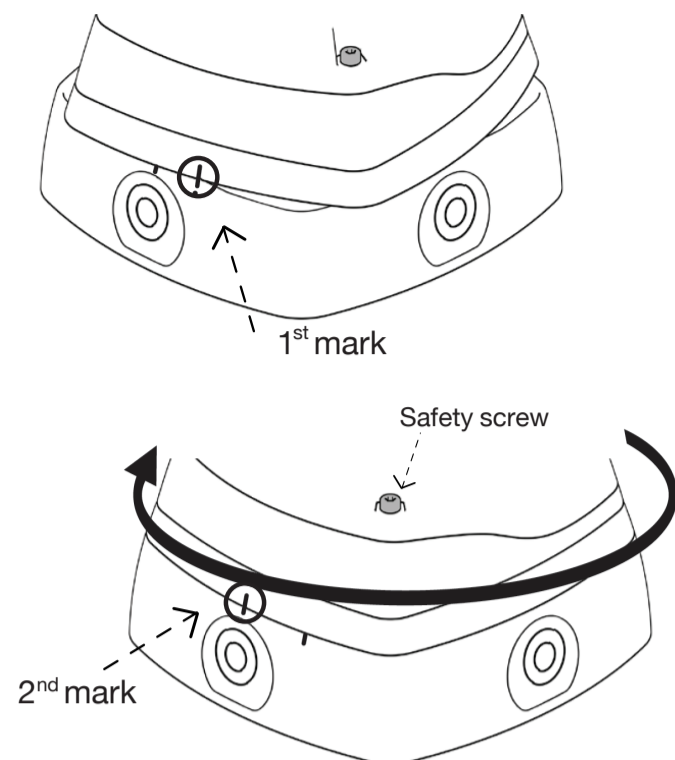
Safety wire ring

Security hook

SECURITY HOOK

Attach the hook to UNICA to prevent the camera from falling.

10



1st mark

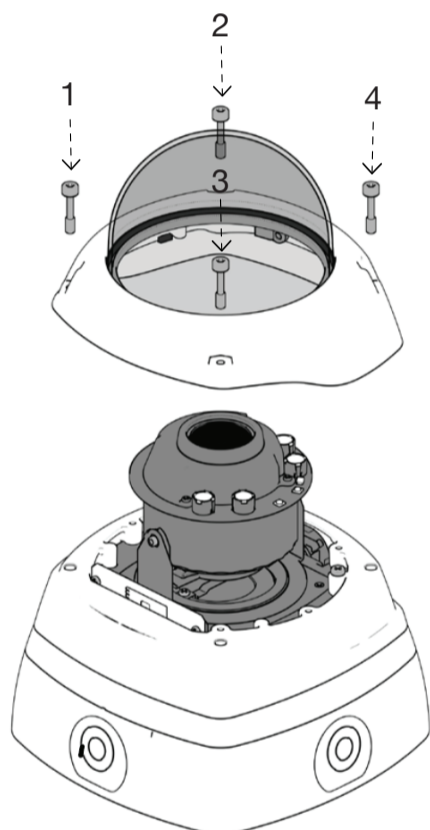
Safety screw

2nd mark

CAMERA MOUNTING

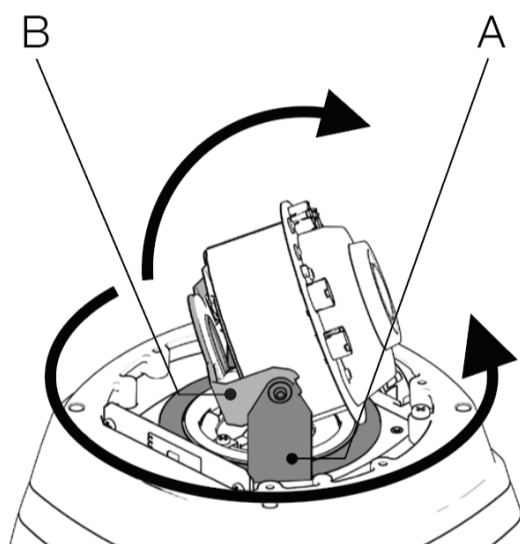
Align the camera to the 1st mark and turn until it is aligned to the 2nd mark. Then lock the safety screw that is inside.

11

**COVER REMOVAL**

Loosen the 4 screws to remove the cover.

12

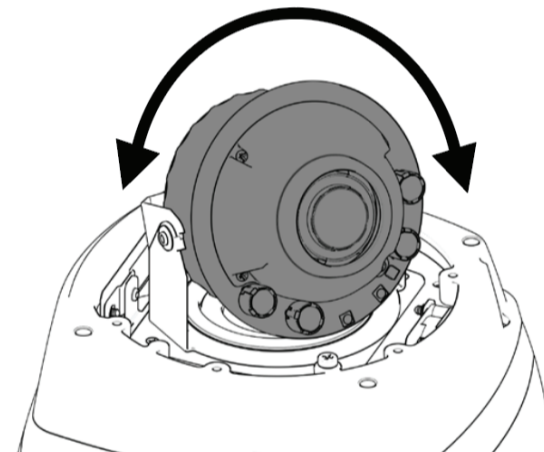
**LENS ADJUSTMENT**

Move the lens horizontally (A) and vertically (B) as needed.

13

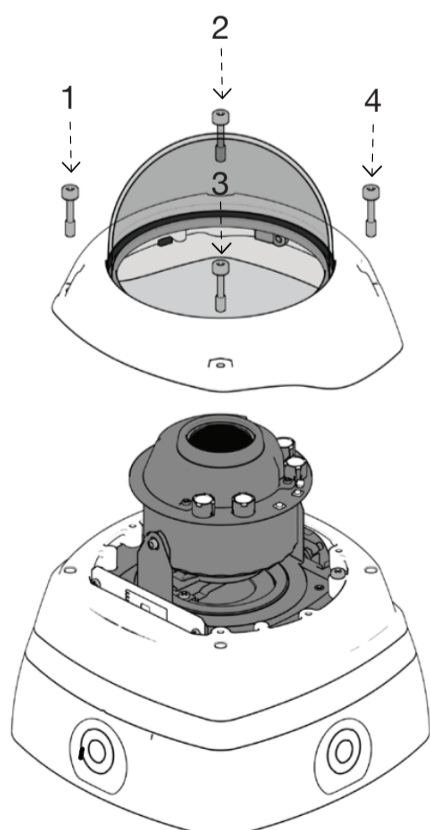
**IR LEDs POSITION**

Make sure the IR LEDs are not blocked by the housing, as it will affect the IR performance. If the image is upside down, use the image rotate feature in camera settings.

**LENS ROTATION**

Rotate the lens as needed.

14

**COVER LOCKING**

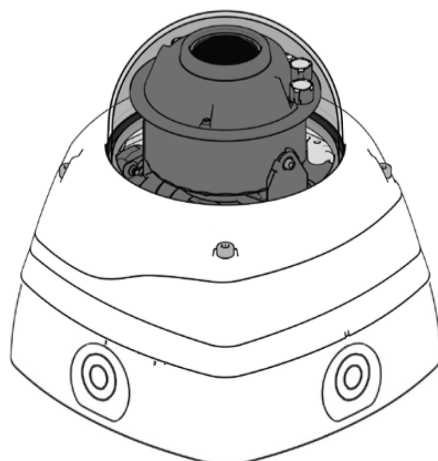
Put the cover back and tighten the 4 screws to secure the cover.

NOTES**CAMERA CLEANING**

Use soft cloth to clean the external surface. Do not use volatile solvents as it may damage the camera surface.

First time accessing the camera from a browser:

1. Enter the default IP address: <http://192.168.1.219>
2. Enter the default username: admin
3. Enter the default password: admin



spark
Italian inSight

Website: www.spark-security.comE-mail: info@spark-security.com

Telephone: +39.0522.929850

Ticketing website: <https://sparksupport.teamwork.com/support/#/tickets/new>Technical docs: <http://helpdeskdocs.spark-security.com/>